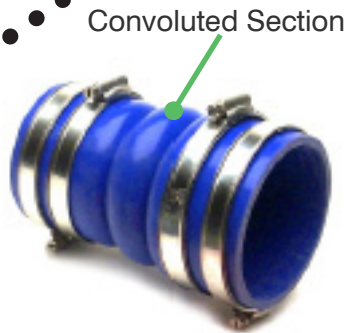
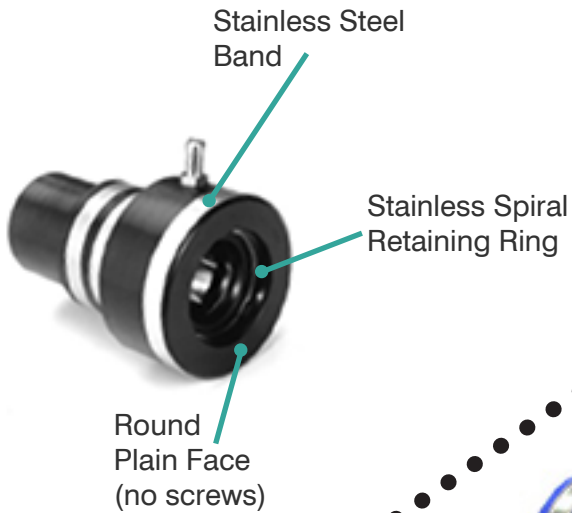


STRONG®Seal (sold prior to year 2000)



SureSeal® (sold after the year 2000)

Before Ordering Replacement Seals or Parts,
have the following information ready:

- 1 What type of unit do I have, StrongSeal or SureSeal? (see above) _____
- 2 What is the shaft diameter? _____
- 3 What is the stern tube/shaft log diameter? _____
- 4 How many injection fittings does the unit have? _____
- 5 What is the serial number? _____

IF YOU HAVE ANY QUESTIONS OR TO PLACE YOUR ORDER
DIAL TOLL FREE 1-800-420-0949
LOCAL DIAL 954-420-0949
www.tidesmarine.com